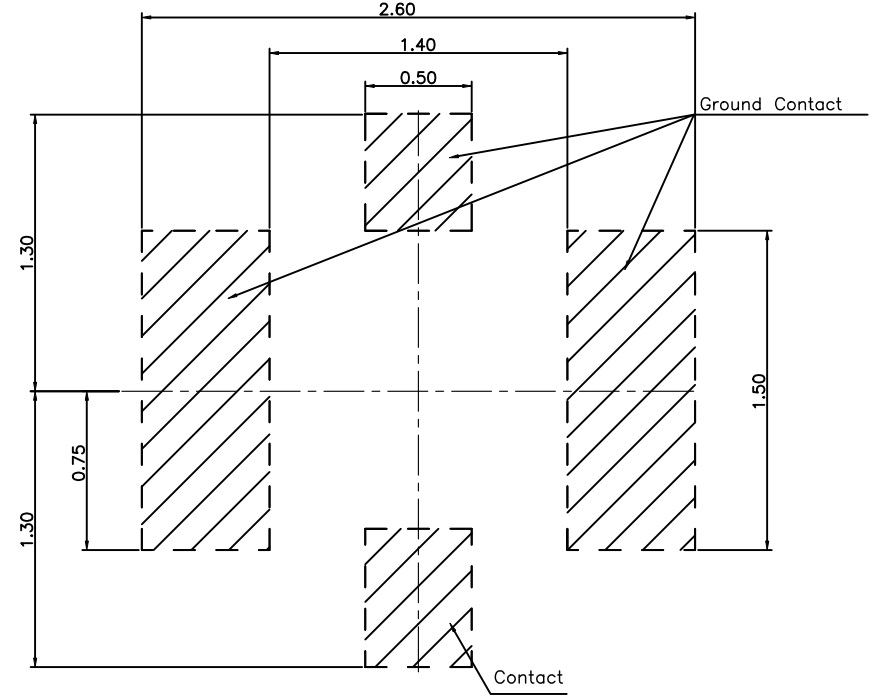
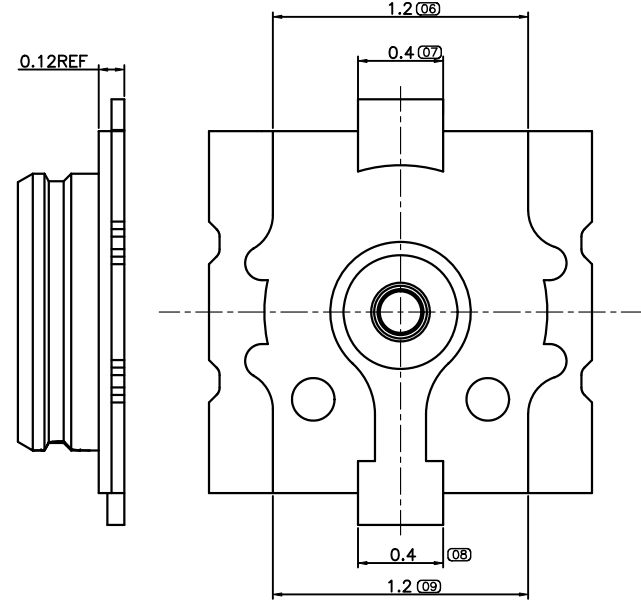
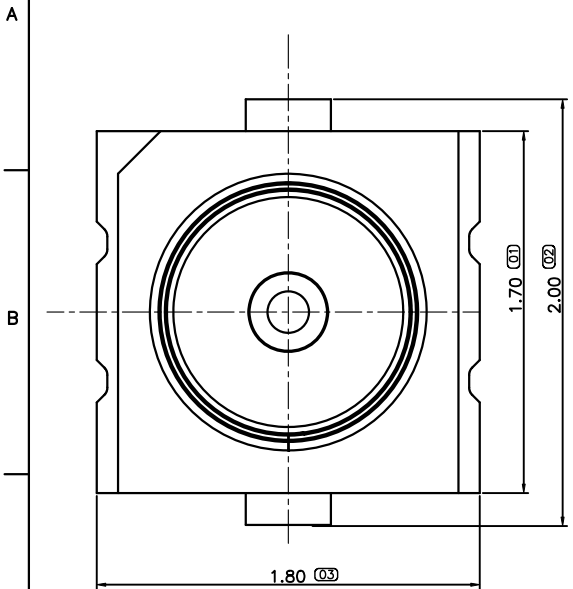
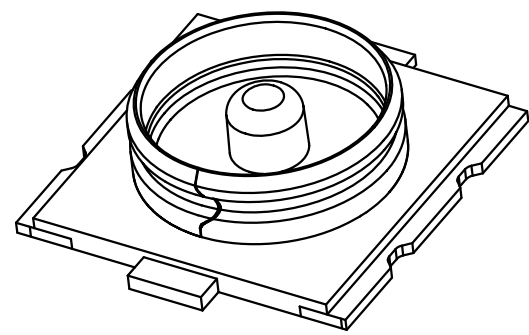
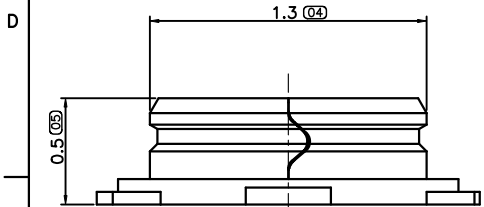


A3

REV	ECN NO	DESCRIPTION	DATE	APPD
X1		INITIAL EDITION	2016.01.20	Nike Xiang



Recommended PCB Layout  
(General Tolerance Is ±0.05)



NOTE:

- MATERIAL:
  - HOUSING: THERMOPLASTIC, COLOR: BLACK, UL 94V-0;
  - CONTACT: COPPER ALLOY, T=0.08mm;
  - SHELL: COPPER ALLOY, T=0.10mm.
- FINISH:
  - CONTACT: GOLD PLATED ON MATING AREA, GOLD FLASH ON SOLDER TAILS, NICKEL UNDER PLATED OVER OF THE ALL;
  - SHELL: GOLD FLASH ON THE ALL, NICKEL PLATED UNDER.
- THE INCOMING MATERIAL, MANUFACTURING PROCESS AND THE SHIPMENT MUST ACCORD WITH THE REQUIREMENT OF FAF JH-GP-213 ENVIRONMENT MANAGEMENT MATERIAL FORBIDDEN USED PROCEDURE.

EXTEND USE			TITLE		
RF 1.0H REC(M type) Connector			UNIT	mm	
GENERAL TOLERANCE (M)		MATERIAL	APPD	DWG NO	
DIMENSION . ±0.30 .0 ±0.25 .00 ±0.20 .000 ±0.10		QTY	CHD	C-7.039A0	
ANGLES . ±3° .0 ±2° .00 ±1°		FINISHED	DRN	P/N:	
		Bill Zheng 2016.01.20		7.039A0-000-1R0	
		2016.01.20		SHEET SCALE (M) REV	
		1/1 1:1 (M) X1			